

## Combination Strike and Stop

Recommended for installations on hospital or nursing home bathroom doors along with our EP-5J. This unit allows center hung or  $\frac{1}{8}$ " inset doors to be opened in both directions without damaging the frame.

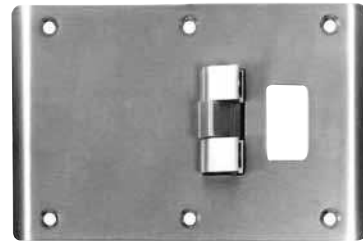
- Manufactured for use with cylindrical or bored locks
- Available in offset or center hung latch bolt location for frame sizes  $5\frac{3}{4}$ ",  $5\frac{7}{8}$ " and  $6\frac{3}{4}$ "
- Custom units available for frame sizes  $3\frac{1}{2}$ " to 10" consult factory for availability
- For use on  $1\frac{3}{4}$ " thick doors
- Cannot be used with deadbolts. May not work with mortise locks. Consult the factory for mortise lock application of CORBIN RUSSWIN, SARGENT and YALE compatibility
- All Combination Strike and Stops are packed with  $\frac{1}{2}$  x 8-32 machine screws
- Available in brass material polished and plated

No.	ANSI Cross Reference	Base Material
CSS-9	A1882	Brass

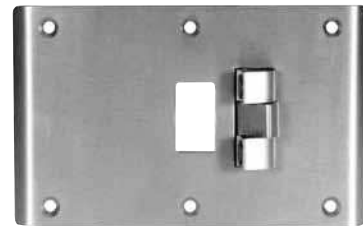
### Specifications

Inches	mm	Gauge	No. of Holes	Fasteners Machine
$5\frac{3}{4}$ "	146.1	.095	6	$\frac{1}{2}$ x 8-32
$5\frac{7}{8}$ "	149.2	.095	6	$\frac{1}{2}$ x 8-32
$6\frac{3}{4}$ "	171.5	.095	6	$\frac{1}{2}$ x 8-32

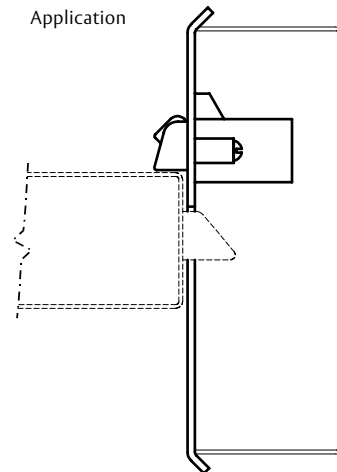
CSS-9  
Offset Hung



CSS-9  
Center Hung



Application



**ASSA ABLOY**

RH-2 The global leader in  
door opening solutions

800-346-7707 | [www.mckinneyhinge.com](http://www.mckinneyhinge.com)  
Check the web site for the up-to-date catalog

McKinney is a brand associated with Corbin Russwin, Inc., an ASSA ABLOY Group company. Copyright © 2012-2017, Corbin Russwin, Inc. All rights reserved. Reproduction in whole or in part without the express written permission of Corbin Russwin, Inc. is prohibited.