

Effective Date: November 2003

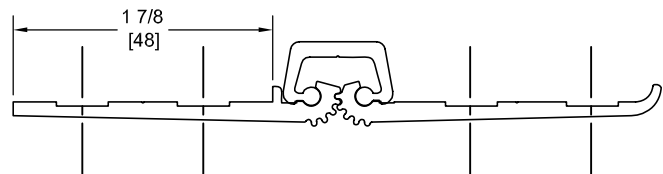
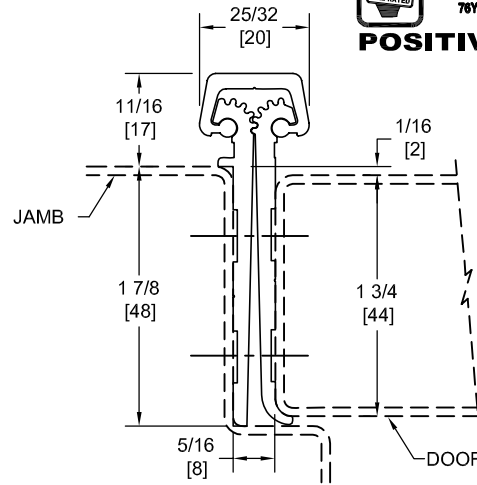
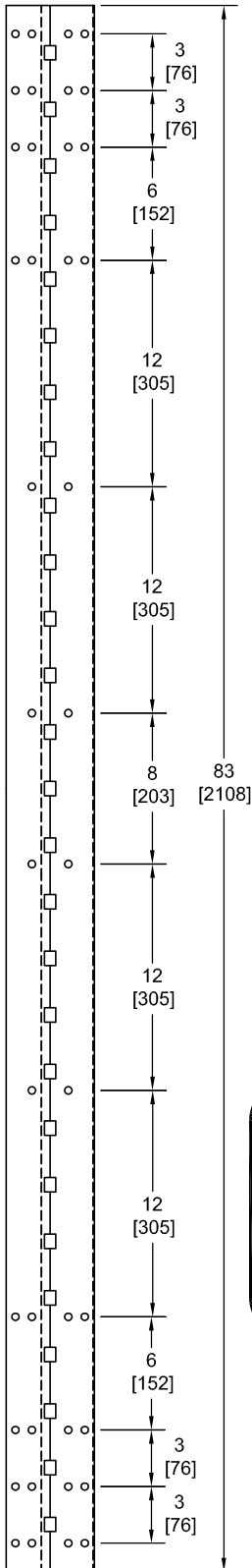
**FM83HD**

**TEMPLATE FULL MORTISE CONTINUOUS GEARED ALUMINUM HINGE**



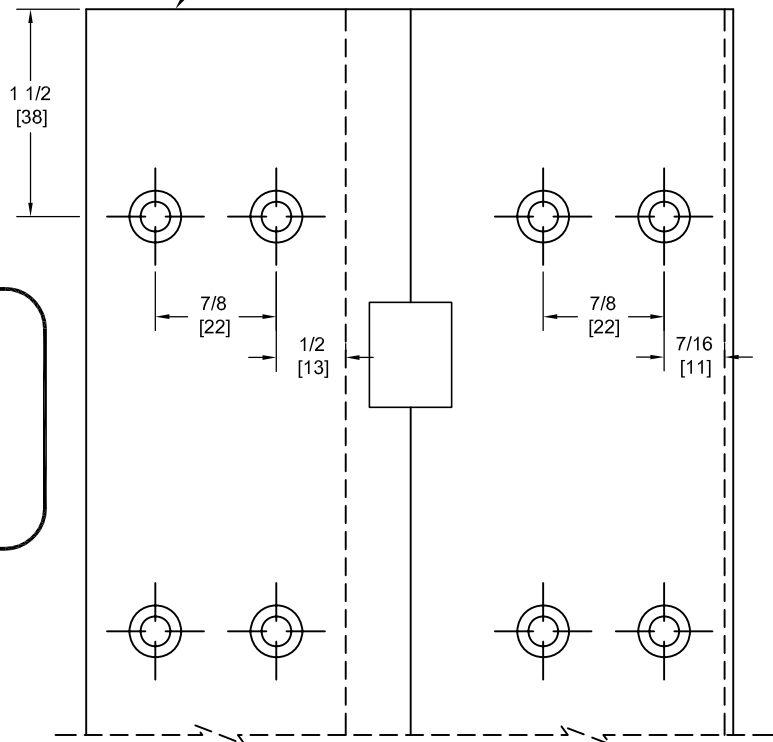
**Fire Rated**  
Classified & Listed to meet the requirements of Standards UL10B, UL10C, UBC7-2, Part I & BS476

**POSITIVE PRESSURE**



DO NOT SCALE

**\*\* CAUTION \*\***  
Due To Frame Installation Variations, Pre-drilling For Fasteners Is Not Recommended



PEMKO Template Full Mortise Continuous Geared Aluminum Hinges CFM83HD/DFM83HD are made to conform to this drawing.

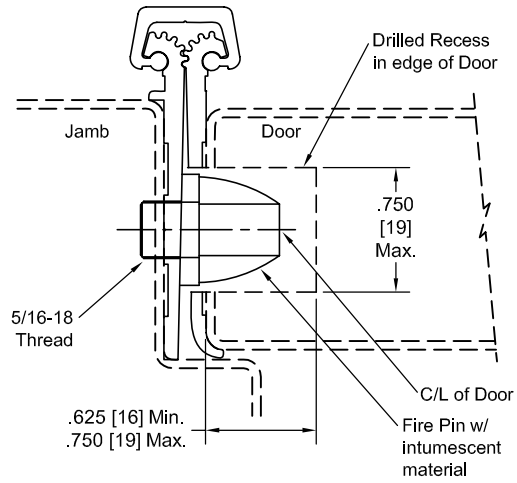
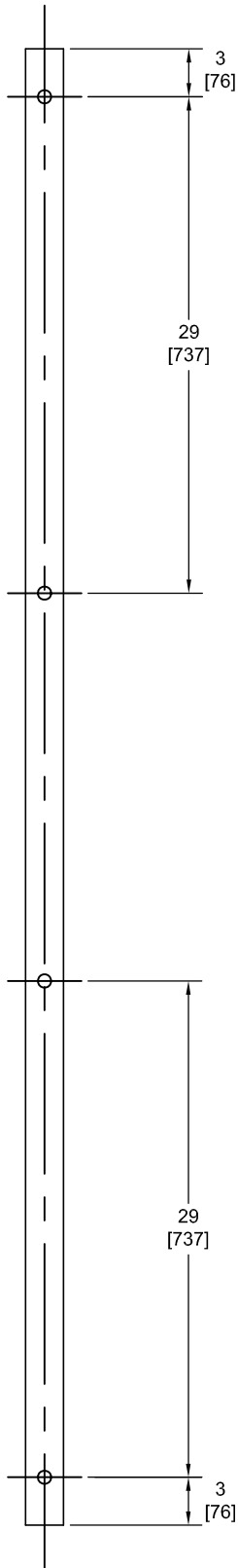
PEMKO CFM83HD/DFM83HD hinges can be supplied with Electric Functions - See Electrical Application Section.

Machine Screw Size - No. 12-24 x 7/16 FHUC Thread-forming.

PEMKO Continuous Geared Aluminum Hinges are Listed for fire applications up to 90 minutes without special preparation; for 3 hour openings using hollow metal doors and hollow metal frames on Masonry/Drywall, Fire Pins (supplied separately) must be used. See back for locations.

Manufacturer reserves the right to make changes without formal notice.

Fire Pin Application



Concealed Circuit (CC) Application

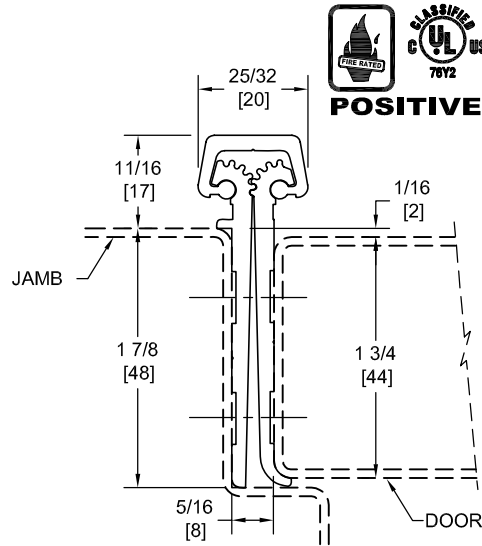
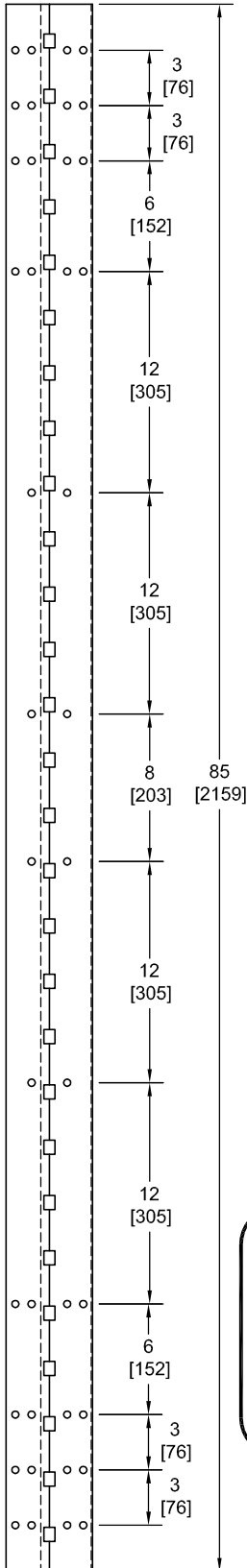
SEE ELECTRICAL APPLICATION SECTION  
IN TECHNICAL MANUAL

Magnetic Monitor (MM) Application

SEE ELECTRICAL APPLICATION SECTION  
IN TECHNICAL MANUAL

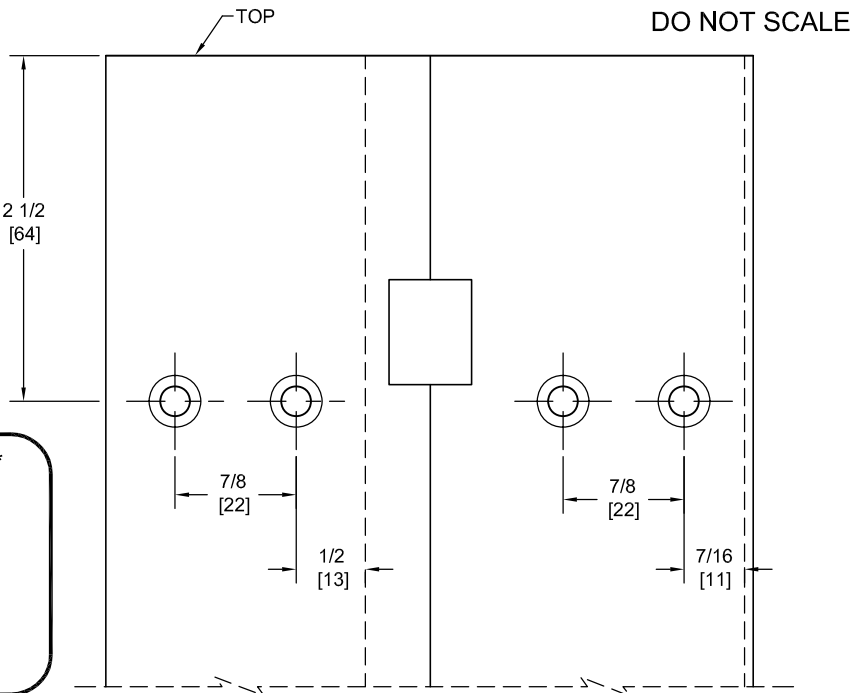
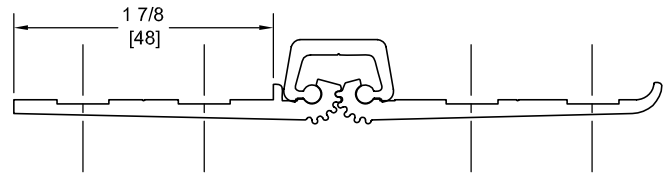
**FM85HD**

**TEMPLATE FULL MORTISE CONTINUOUS GEARED ALUMINUM HINGE**



**Fire Rated**  
Classified & Listed to meet the requirements of Standards UL10B, UL10C, UBC7-2, Part I & BS476

**POSITIVE PRESSURE**



**\*\* CAUTION \*\***  
Due To Frame Installation Variations, Pre-drilling For Fasteners Is Not Recommended

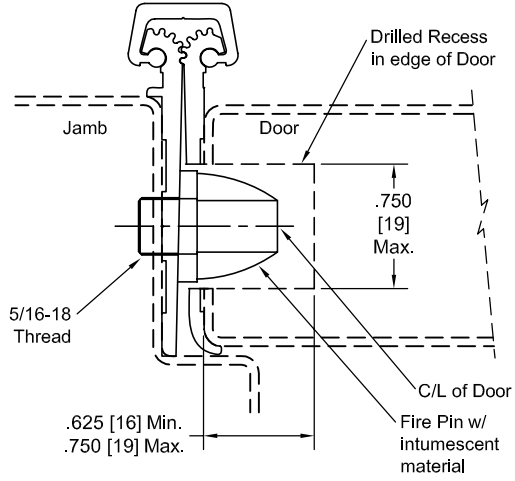
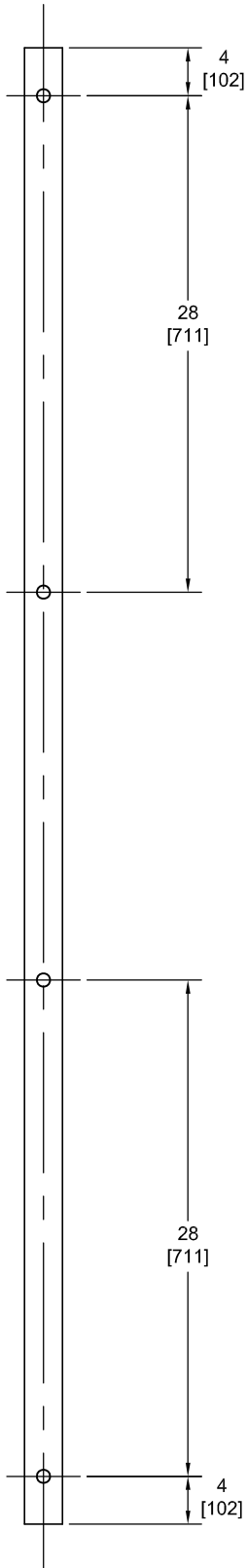
PEMKO Template Full Mortise Continuous Geared Aluminum Hinges CFM85HD/DFM85HD are made to conform to this drawing.

PEMKO CFM85HD/DFM85HD hinges can be supplied with Electric Functions - See Electrical Application Section.

Machine Screw Size - No. 12-24 x 7/16 FHUC Thread-forming.

PEMKO Continuous Geared Aluminum Hinges are Listed for fire applications up to 90 minutes without special preparation; for 3 hour openings using hollow metal doors and hollow metal frames on Masonry/Drywall, Fire Pins (supplied separately) must be used. See back for locations.

Fire Pin Application



Concealed Circuit (CC) Application

SEE ELECTRICAL APPLICATION SECTION  
IN TECHNICAL MANUAL

Magnetic Monitor (MM) Application

SEE ELECTRICAL APPLICATION SECTION  
IN TECHNICAL MANUAL

Effective Date: November 2003

# FM95HD

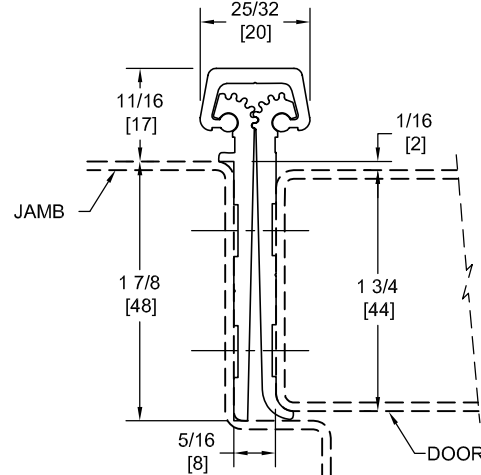
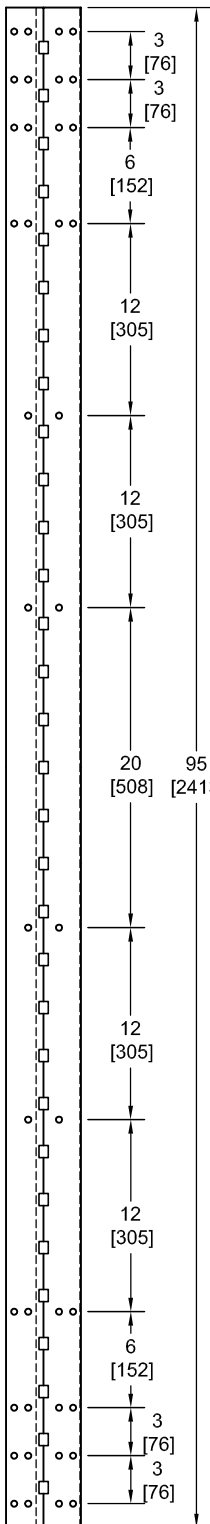
## TEMPLATE FULL MORTISE CONTINUOUS GEARED ALUMINUM HINGE

### GEARED ALUMINUM HINGE

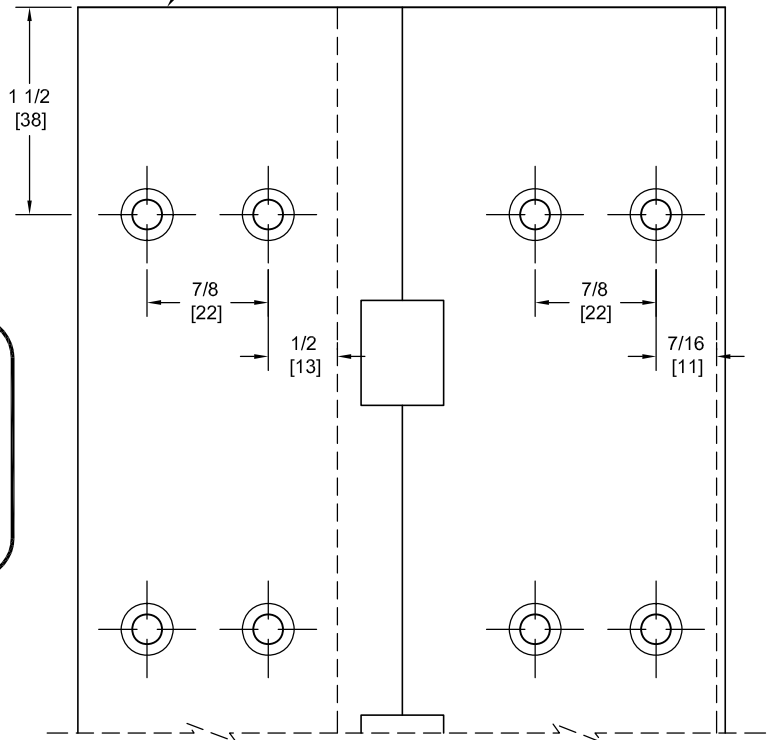
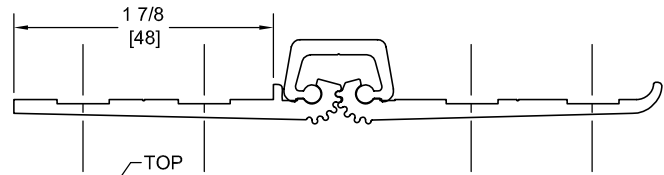


**Fire Rated**  
Classified & Listed to meet the requirements of Standards UL10B, UL10C, UBC7-2, Part I & BS476

**POSITIVE PRESSURE**



DO NOT SCALE



**\*\* CAUTION \*\***  
Due To Frame Installation Variations, Pre-drilling For Fasteners Is Not Recommended

PEMKO Template Full Mortise Continuous Geared Aluminum Hinges CFM95HD/DFM95HD are made to conform to this drawing.

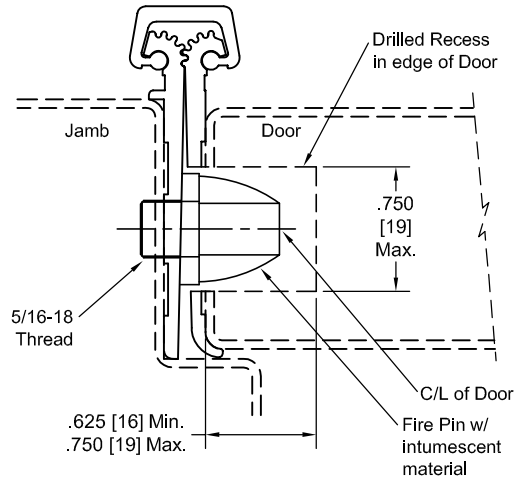
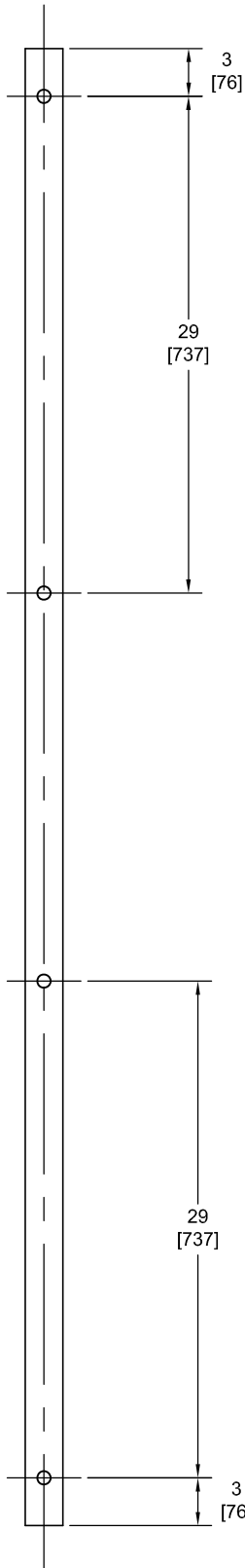
PEMKO CFM95HD/DFM95HD hinges can be supplied with Electric Functions - See Electrical Application Section.

Machine Screw Size - No. 12-24 x 7/16 FHUC Thread-forming.

PEMKO Continuous Geared Aluminum Hinges are Listed for fire applications up to 90 minutes without special preparation; for 3 hour openings using hollow metal doors and hollow metal frames on Masonry/Drywall, Fire Pins (supplied separately) must be used. See back for locations.

Manufacturer reserves the right to make changes without formal notice.

Fire Pin Application



Concealed Circuit (CC) Application

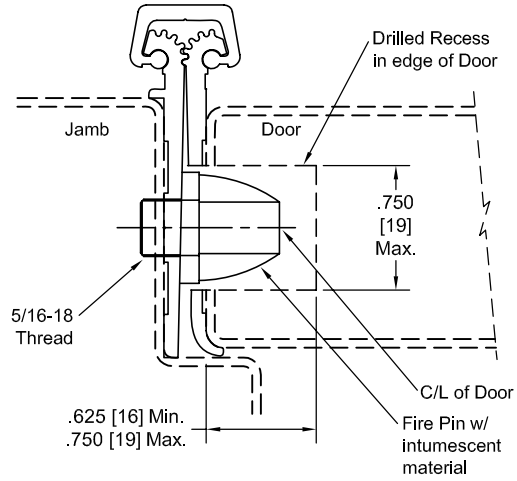
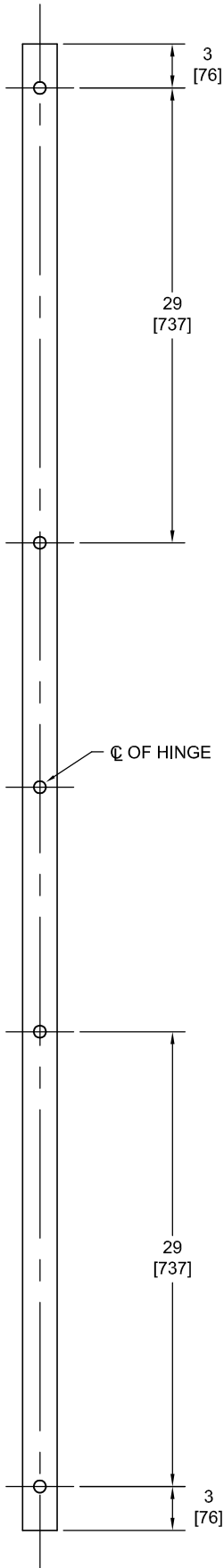
SEE ELECTRICAL APPLICATION SECTION  
IN TECHNICAL MANUAL

Magnetic Monitor (MM) Application

SEE ELECTRICAL APPLICATION SECTION  
IN TECHNICAL MANUAL



Fire Pin Application



Concealed Circuit (CC) Application

SEE ELECTRICAL APPLICATION SECTION  
IN TECHNICAL MANUAL

Magnetic Monitor (MM) Application

SEE ELECTRICAL APPLICATION SECTION  
IN TECHNICAL MANUAL