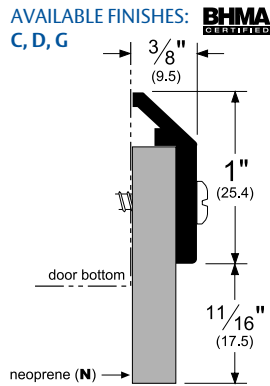
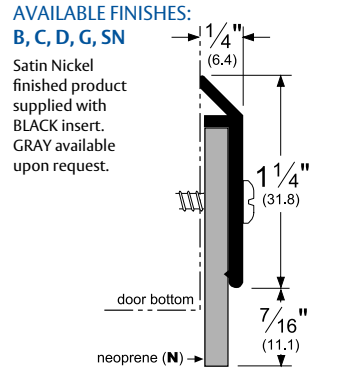


## Door Bottom Sweeps

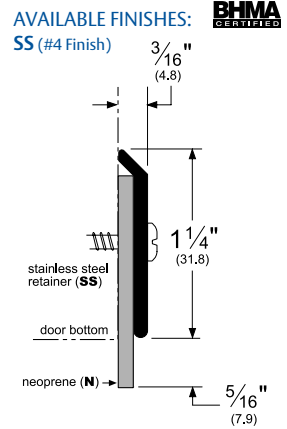
**368\_N**  **BHMA CERTIFIED**



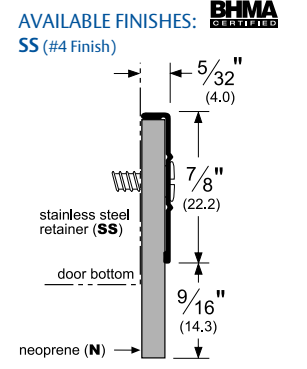
**315\_N**  **BHMA CERTIFIED**



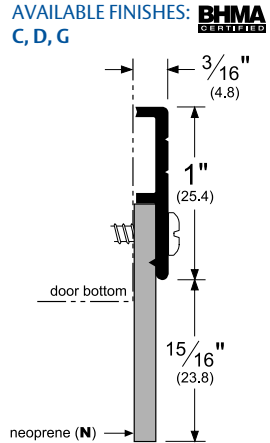
**315SSN**  **BHMA CERTIFIED**



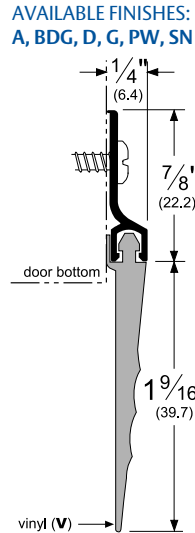
**321SSN**  **BHMA CERTIFIED**



**321\_N**  **BHMA CERTIFIED**



**56\_V** 



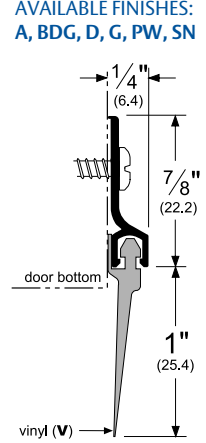
**57\_V** 



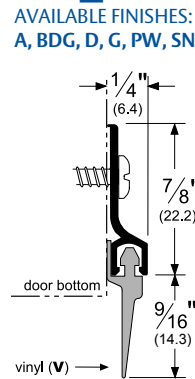
**99\_V** 



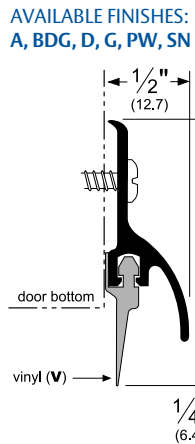
**307\_V** 



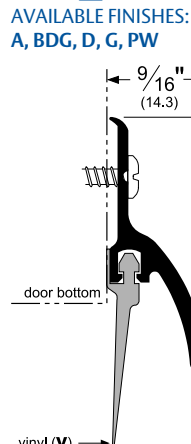
**308\_V** 



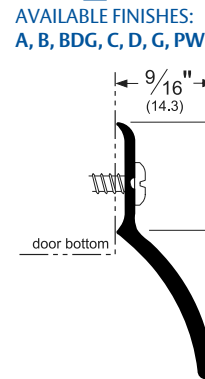
**3452\_V** 



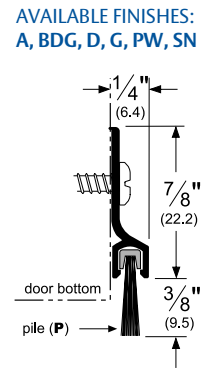
**345\_V** 



**345\_** 



**309\_P** 



NOTE: Products shown in this section may not be drawn to scale.

▲ AVAILABLE FINISHES FOR PRODUCTS SHOWN ON THIS PAGE (see General Information section for finish chart)

A (Mill Finish Aluminum) • B (Mill Finish Extruded Bronze[Brass]) • BDG (Bright Dip Gold Anodized) • C (Clear Anodized) • D (Dark Bronze Anodized) • G (Gold Anodized) • PA (Painted Aluminum) • PD (Painted Dark Bronze) • PG (Painted Gold) • PW (Painted White) • SN (Satin Nickel Anodized) • SS (See Individual Part)